

**Bonding for assured strength
with DURARods**



Supreme Always Value Efficient

DURARods

(Formerly SILSEAL)

DURArods

'Durarods' is a closed cell polyethylene based product with a circular profile provide back up to sealant, impart shape and optimize the sealant quality. It ensures strong bonding of sealant with masonry, aluminium or other substrates & helps to maintain desired thickness of sealant at the joint's centre. By using round section of EPE rods the side adhesion surface area of sealant is increased by approximately 30%, thereby giving higher elongation of break. It does not bond with most of cold applied sealants. It is used as a back-up to sealants in expansion joints and structural glazing systems.

Features & Benefits

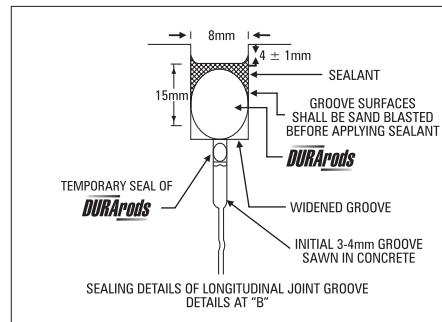
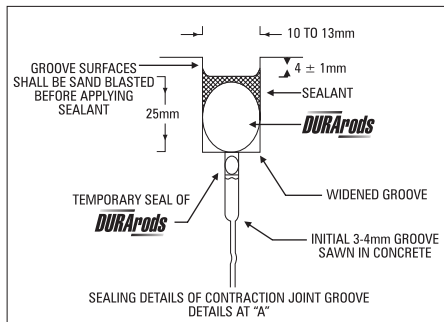
- Closed cell, hence negligible water/moisture absorption
- Excellent chemical resistance - Inert to most acids and alkalis
- Cost-effective space filler
- Allows unrestrained expansion & contraction of sealants.
- Eliminates bubbling of sealant.
- Non-staining - Reduces sealant consumption
- Very low compressible & environment friendly product.

Technical Specifications

Outer Dia (mm)	Colour	STD / Non STD	Density
6	Natural	STD	35
	Black	STD	
8	Natural	STD	32
	Black	Non STD	
10	Natural	STD	32
	Black	Non STD	
12	Natural	STD	32
	Black	Non STD	
15	Natural	STD	32
	Black	Non STD	
18	Natural	STD	32
	Black	Non STD	
20	Natural	STD	32
25	Natural	STD	32
30	Natural	STD	32
35	Natural	STD	32
40	Natural	STD	32
50	Natural	STD	32
60	Natural	STD	32

*All outer dia sizes will have density tolerance $\pm 2 \text{ kg/m}^3$

Diagrammatic Representation



Applications

- Pre-cast panel joints
- Coping joints
- Contraction joints
- Expansion joints
- Back-up to sealant in structural glazing systems
- Stone cladding
- Glazing joints Isolation joints
- Dynamic joints in masonry etc.
- Window and door frame perimeters
- Control joints

Available in

- 6 mm
- 10 mm
- 15 mm
- 25 mm
- 50 mm
- 8 mm
- 12 mm
- 20 mm
- 40 mm
- 60 mm

Tender Specification Language

Providing & fixing DURArods of desired diameter, having minimum density 22kg/m³, (ASTM D-3575) & compression strength of 0.40kg/m² (ASTM D-1621) 25% greater than the expansion joint width, of white color, manufactured by The Supreme Industries Limited.

Authorised Distributors



STELLECE INFRA TECHNOLOGY P. LTD.

Phone : + 91-9136910999 • Email : info@stellence.in

Connect with us

Corporate Office Mumbai: 1161/1162, Solitaire Corporate Park, Guru Hargovindji Marg, Andheri - Ghatkopar Link Road, Chakala, Andheri (E), Mumbai - 400093 Tel: (+91-22) 40430000 / 67710000 / 30840000 Fax: (+91-22) 40430099 / 67710099 / 30840000 **Ahmedabad:** Tel: (+91-79) 27681361 / 27680043 / 27680903 Fax: (+91-79) 27680064 **Bengaluru:** Tel: (+91-80) 22215475, 22104696 Fax: (+91-80) 22104697 **Chennai:** Tel: (+91-44) 43851500 / 39811176 / 39811174 Fax: (+91-44) 43850498 **Noida:** Tel: (+91-120) 6660000 / 2564700 **Hyderabad:** Tel: (+91-40) 23221140 Fax: (+91-40) 23221120 **Kolkata:** Tel: (+91-33) 24858837 / 24858839 / 24858833 Fax: (+91-33) 24858838 **Pune:** Tel: (+91-20) 25890538. **E-mail:** dura@supreme.co.in **Website:** www.supreme.co.in

THE ABOVE MENTIONED SPECIFICATIONS ARE FOR REFERENCE PURPOSES ONLY.

Disclaimer: "The information contained in this literature is given in good faith. The information & values given here are typical average values and are believed to be correct and to the best of our knowledge. However it is the user's responsibility to determine suitability of the application. The Supreme Industries Limited makes no guarantee of results and assumes no obligation or liability in connection with this advice"